



DataSquare

YOUR DATA MANAGERS

Aras Innovator PLM TD Connector

ACE 2010

- DataSquare offers consulting and solutions all around digital company data
 - Consulting teams including engineering, computer, science and business experts advise and service companies in every aspect concerning data management and software development
 - Services encompass compact systems for small and medium sized companies up to complex solutions for exchange-listed corporations

- Provides full service enterprise PLM solution implementation and systems integration services to companies with complex products and processes

- Aras Partner since 2008



- Partner of Adobe, Dassault/SolidWorks, IBM, Microsoft, VisualCockpit

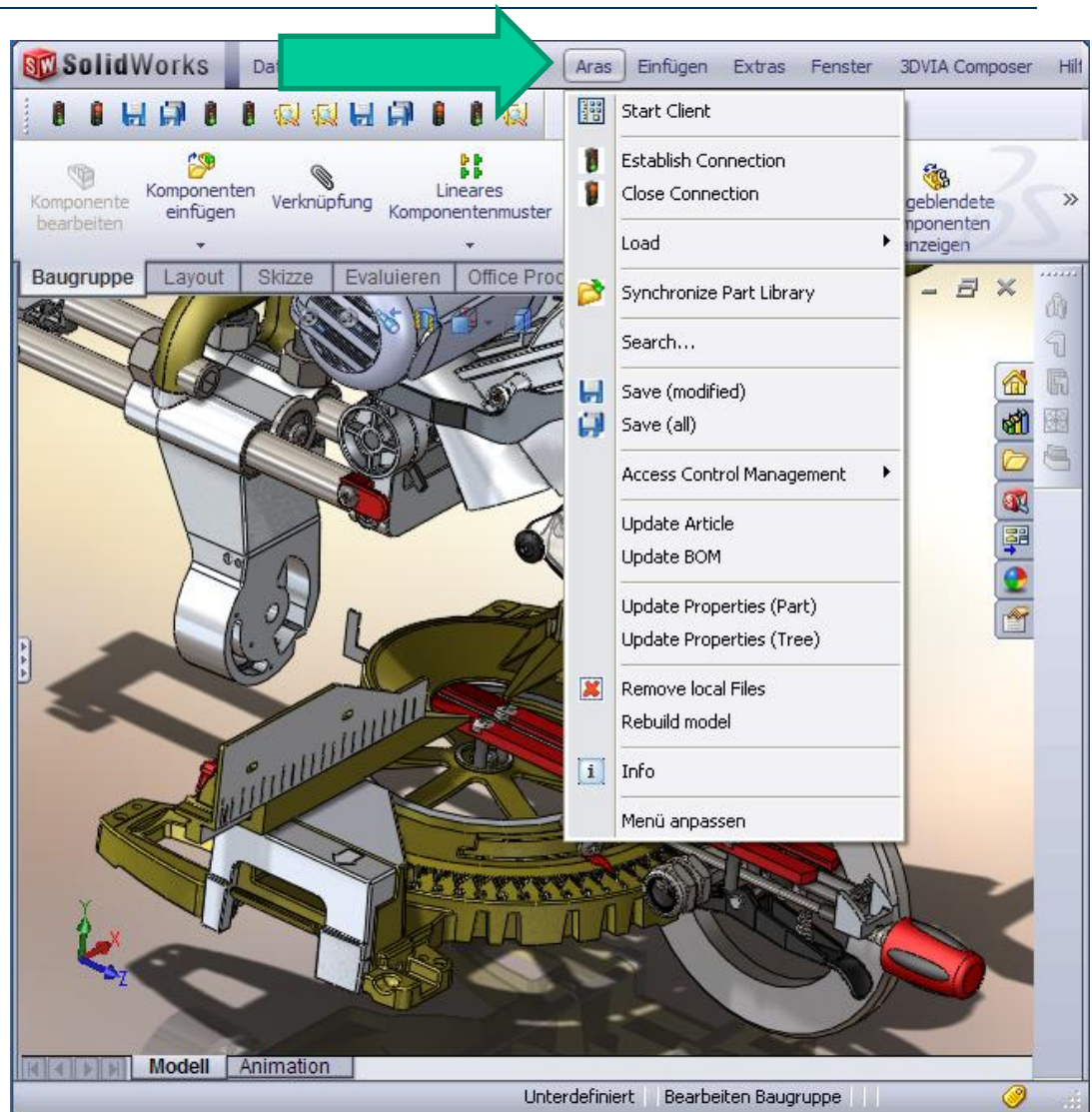


- Hendrik Roreger, Master of Computer Science,
PLM Consultant and Aras Innovator Solution Architect
hendrik.roreger@datasquare.de

- Integrates Dassault 3DVIA Composer authoring software into Aras Innovator
 - Visualization of 3D data, totally independent from CAD software
 - Associative 2D and 3D pictures and animations are directly generated from CAD data, without the usage of CAD software
 - Direct absorption of constructional changes makes sure that only the latest data is used
 - Quality and consistency of the documentation are improved—with reduced cost
 - Create technical documentation of all kinds
 - Assembly/disassembly instructions
 - Maintenance manuals
 - Technical illustrations
 - Interactive 3D animations
 - ...

Check-in CAD Model

- Check-in from CAD -> E.g. SolidWorks
- Aras Innovator PLM TD Connector recognizes changes
- Job is added to converter queue

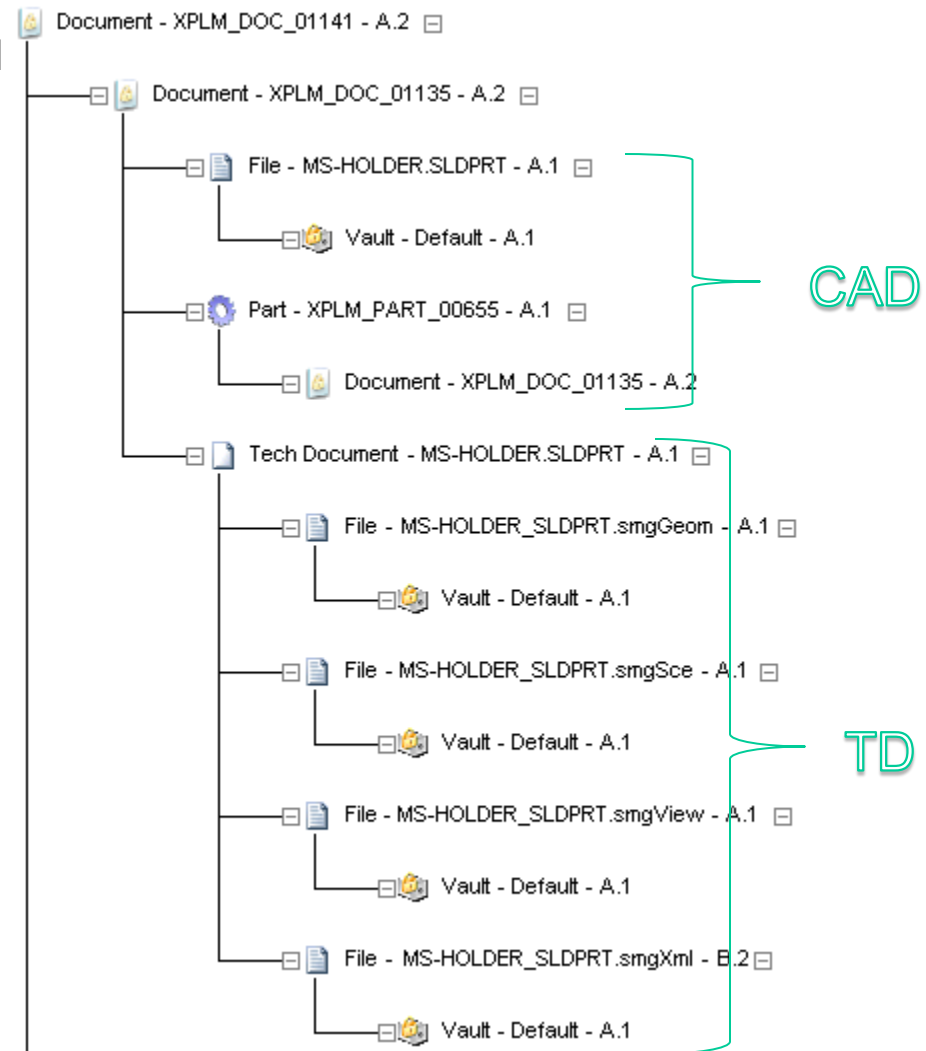


- Automatically converts into 3DVIA Composer format
- Lifecycle is changed when part is converted
- Workflow notification when part is converted

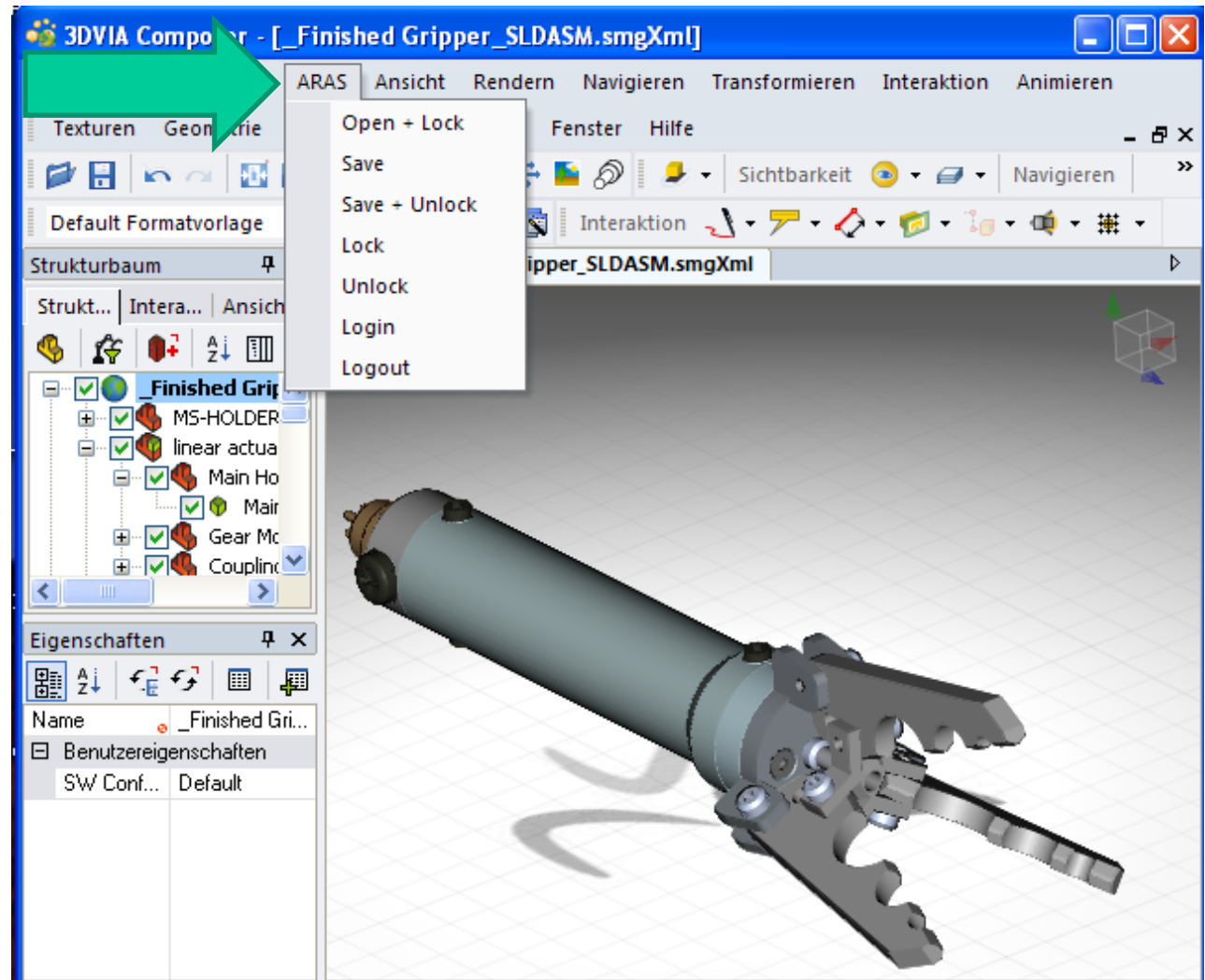
Job	Job ID	Part Name	Status	Doc ID
	Job102101	End Cap2.SLDPRT (Default)	Saved	XPLM_DOC_01124
	Job128701	SCREW - MITER LOCK PIVOT.SLDPRT (Default)	Saved	XPLM_DOC_01357
	Job104001	motor.SLDPRT (Default)	Saved	XPLM_DOC_01145
	Job101101	PartGruppe - XB67789K3.SLDASM (Standard)	Saved	XPLM_DOC_01117
	Job135401	TABLE.sldasm (Default)	Saved	XPLM_DOC_01418
	Job117601	left lower leg 50m.sldprt (Default)	Saved	XPLM_DOC_01257
	Job117501	left foot 50m.sldprt (Default)	Saved	XPLM_DOC_01256
	Job120901	Route 3.sldasm (Default)	Saved	XPLM_DOC_01274
	Job143301	Hex Nut GradeC_ISO.SLDPRT (Hexagon Nut ISO - 4034 - M24 - N)	Saved	XPLM_DOC_01436
	Job121101	MANIKIN.SLDASM (Default)	Saved	XPLM_DOC_01276

Job	
Created By:	Innovator Admin
Created On:	1/25/2010
Modified By:	Innovator Admin
Modified On:	1/25/2010
Locked By:	
Major Rev:	A
Generation:	1
State:	Saved

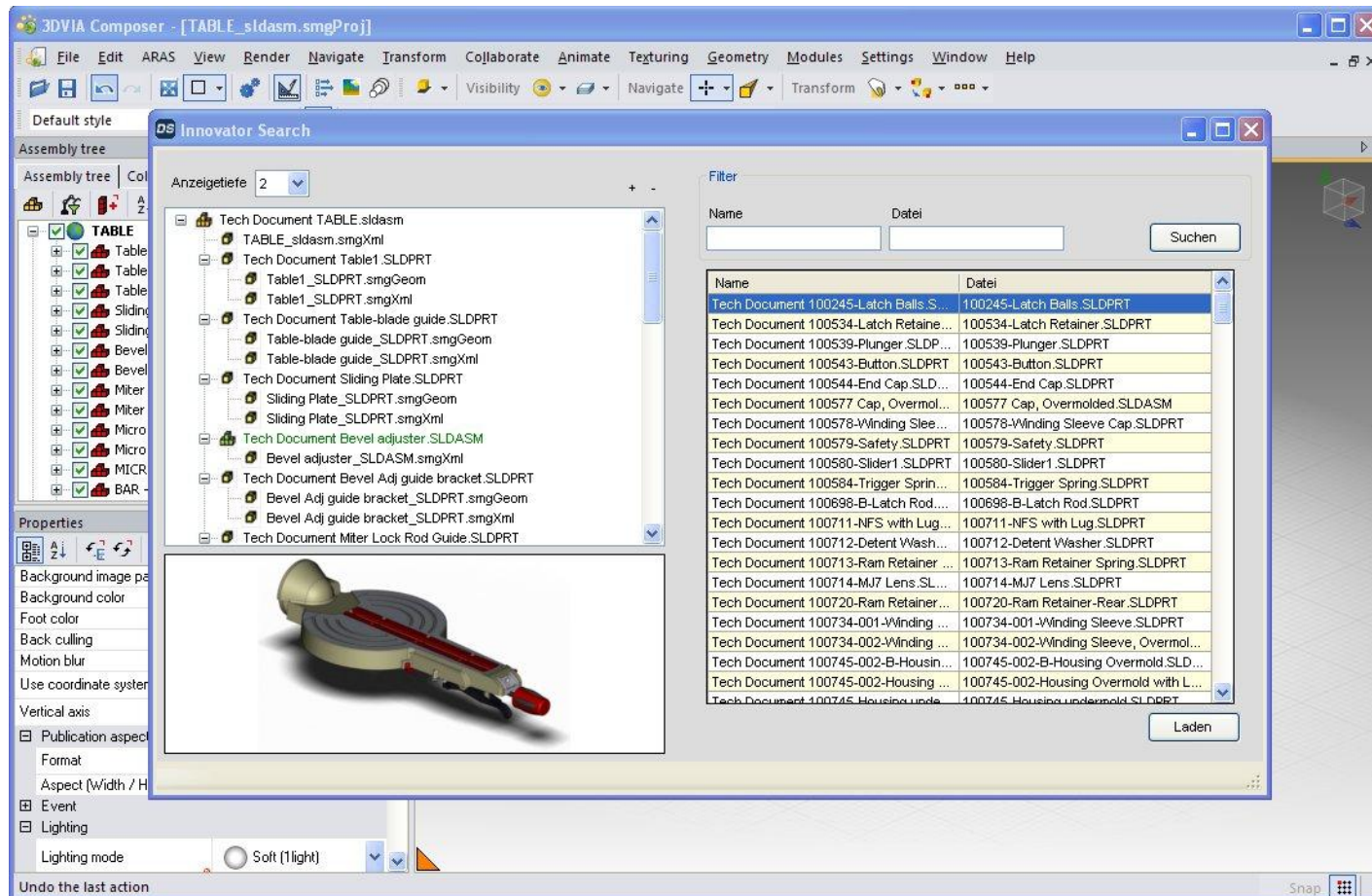
- BOM structure is extended by converted 3DVIA Composer files
 - One-to-one relationships between CAD file and TD file
 - TD file is called Tech Document



- Videos, exploded view drawing, annotations, etc. are created in 3DVIA Composer
- An integrated Aras Innovator menu allows to check out the changes directly into Aras Innovator



- PLM TD Connector includes Tech Document structure browser



- Ideal integration of product documentation into product development and production processes
- Perfect synchronization of all product data
- Effective administration of technical documentation
- Automation and acceleration of the documentation process



DataSquare

YOUR DATA MANAGERS

Many thanks for your attention

Questions : hamburg@datasquare.de, discussion this night