

BEDIFFERENT

ACE GERMANY

.....T.....Systems.....



CAD Integration Hands on

Jens Rollenmüller

Aras Partner Manager

T-Systems



Theory – Aras CAD Connector approach

Jens Rollenmüller

Aras Partner Manager

T-Systems



What's New at Aras



▶ Hired Director of Product Management

- Extensive CAD integration & visualization experience

▶ Built out CAD Integration Platform

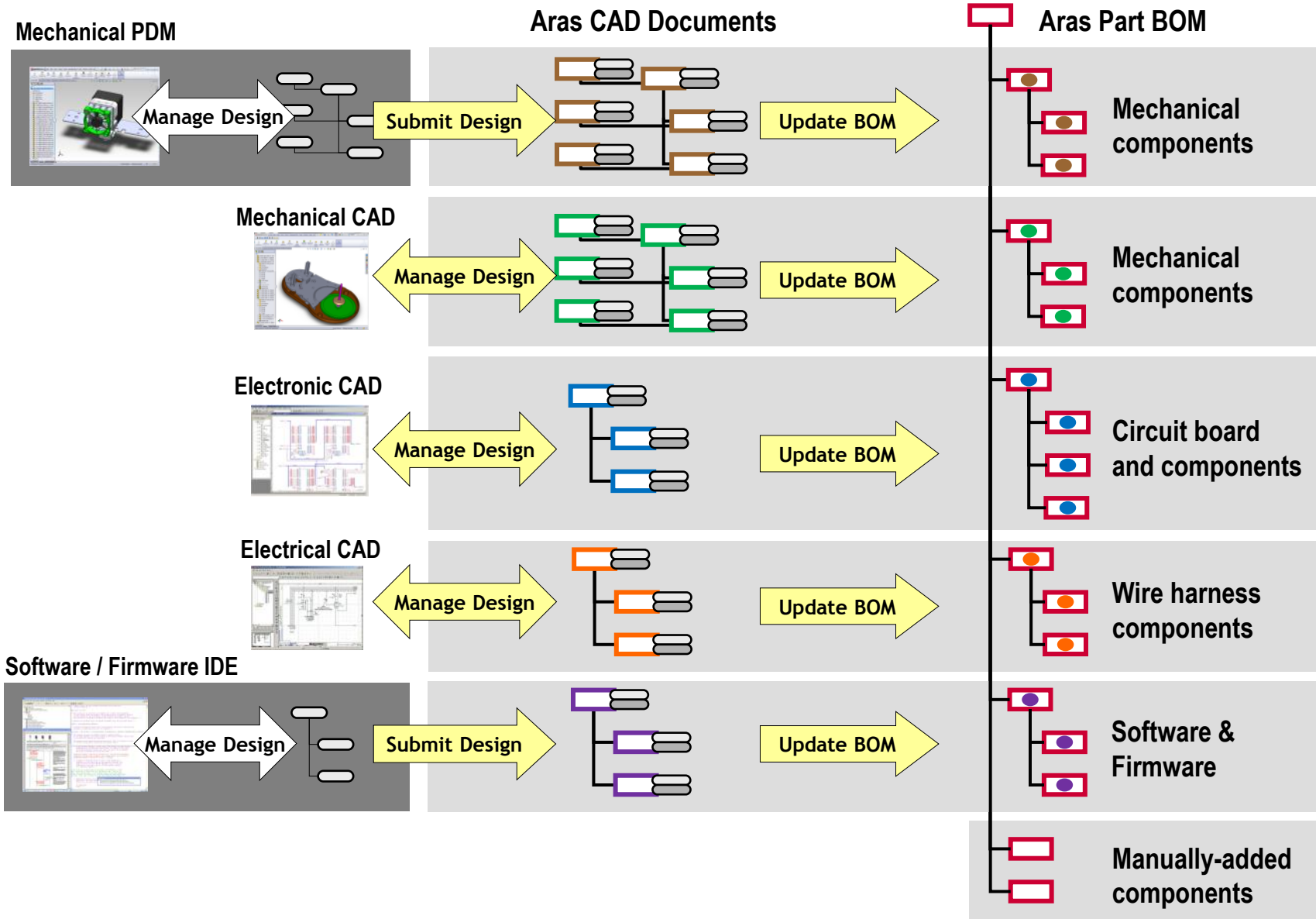
- Unified CAD Data Model
- High Performance API
- Optimized CAD Connectors

▶ Grew CAD integration partner ecosystem from 1 to 7

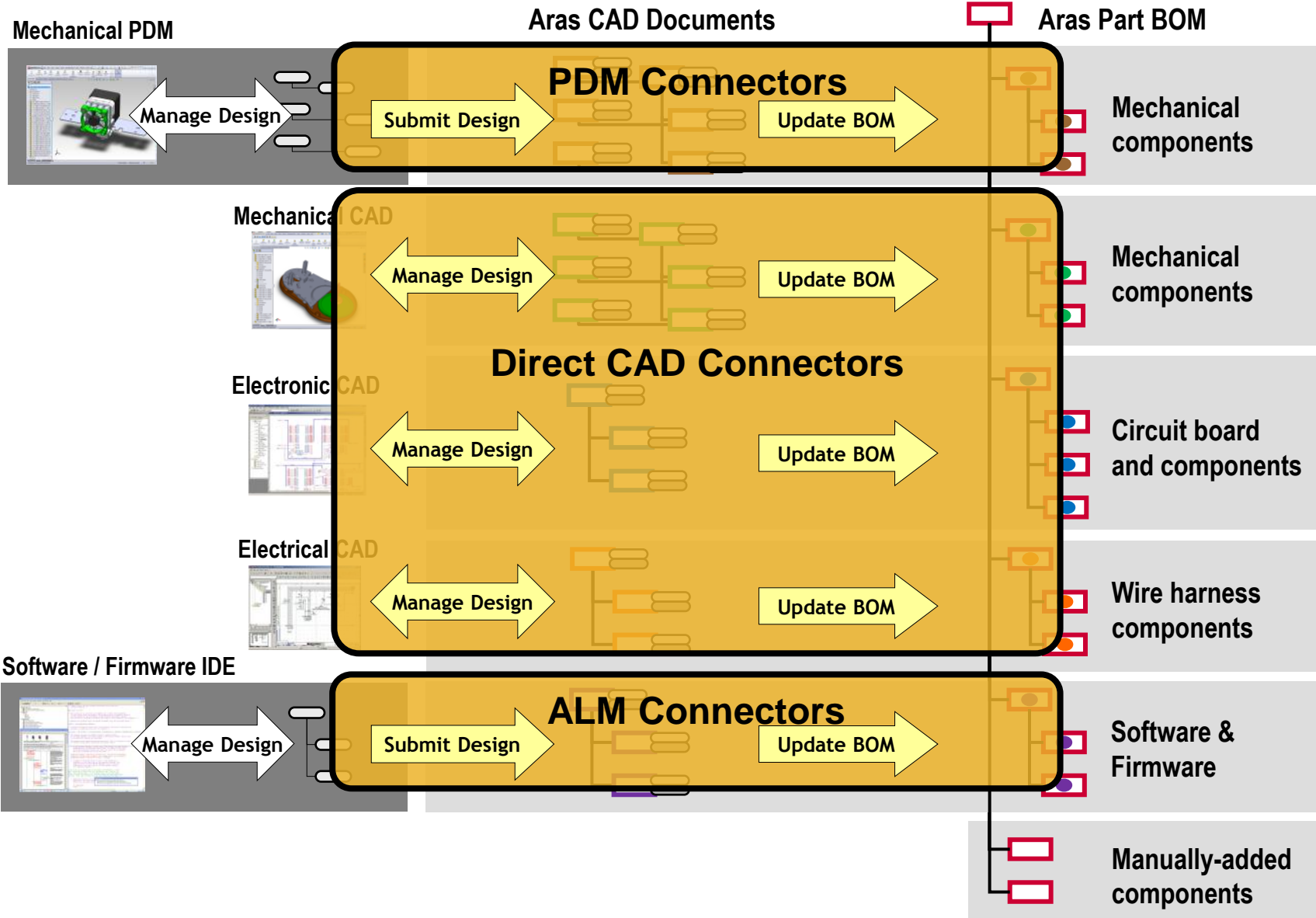
▶ Dramatic Improvements in Replication Technology

- Best-in-Class Highly Scalable Many-to-Many Replication
- Unique Point-to-Cloud Replication

Aras CAD Connector Landscape



CAD Connector Types



Aras Approach for Multi-CAD

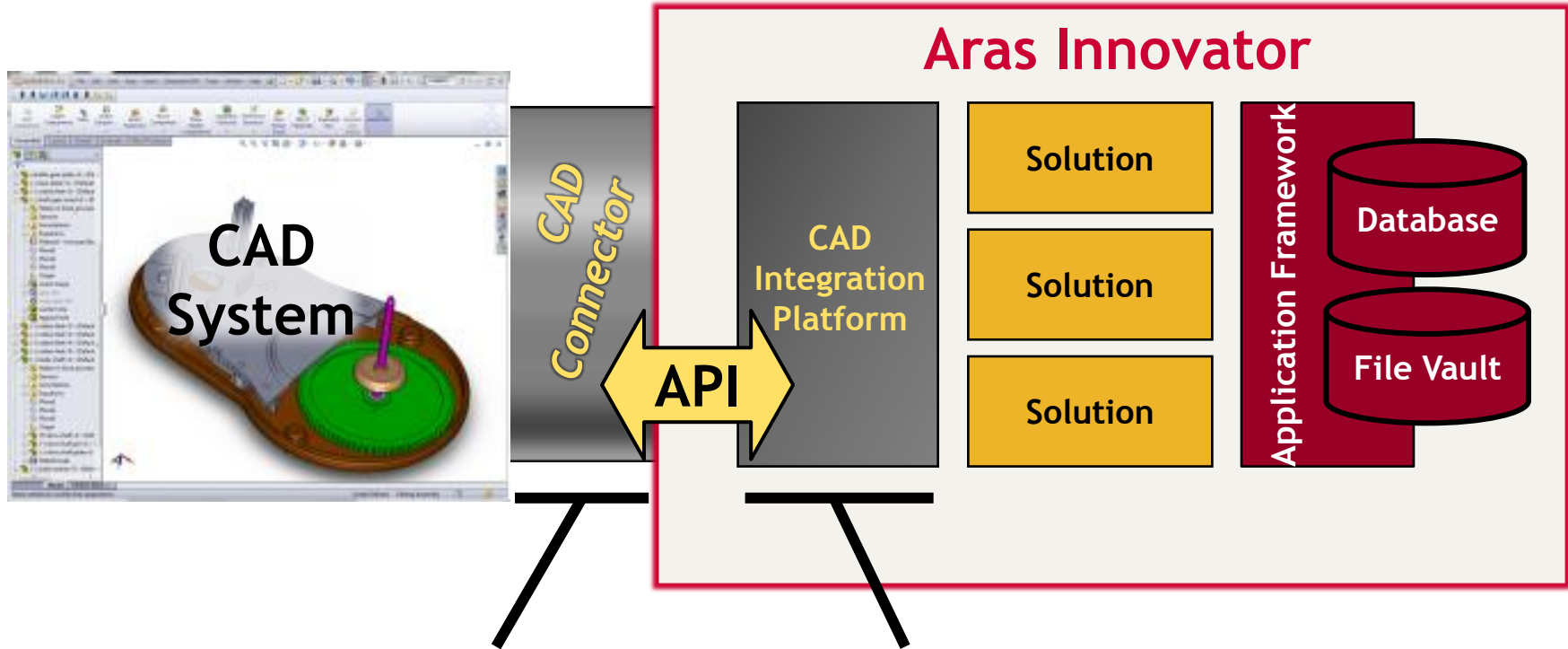


- ▶ Standardize the CAD Integration Platform
 - Allow CAD integration partners to optimize for each CAD system
 - Minimize costs of developing integrations
 - Enable connectors from different partners to “play together” well
 - Scalability, Security, Replication, Performance

- ▶ Provide customers with immediate out-of-the-box connector capability with ability to customize sustainably

- ▶ Build successful CAD integration “ecosystem” of Apps

Product Components



Partners Provide:

- Standard documented CAD Connectors
- Based on CAD Integration Platform
- Configurable to meet customer processes

Aras Provides:

- Standard documented CAD Integration Platform
- Includes data model and APIs
- Guidelines provided to partners

Aras CAD Connector Summary



▶ Mechanical Design CAD Connectors include:

- CATIA, NX, Creo, SolidWorks, Solid Edge, Inventor, AutoCAD

▶ Electronic Circuit Board Design CAD Connectors include:

- **Cadence:** Allegro HDL, Allegro, OrCAD Capture CIS and OrCAD PCB Designer
- **Mentor Graphics:** Board Architect, Design Architect, Board Station, DxDesigner, Expedition Capture, Expedition, PADS PowerLogic, PADS Schematic, and PADS Power PCB
- **Altium:** Designer, P-CAD Schematic, and P-CAD PCB

▶ Electrical Wire Harness Design CAD Connectors include:

- **Autodesk:** AutoCAD ecscad, AutoCAD Electrical
- **AUCOTEC:** Elcad, Engineering Base
- **EPLAN:** EPLAN Electric

Live Demonstration

John Designer

Jens Rollenmüller

Aras Partner Manager

T-Systems

Rob Designer

Andreas Zauner

Aras Consultant

T-Systems

..... **T**
Systems



Hands on Process – Request



Request:
High Pressure Cleaner with
T-Systems branding.



Hands on Process – Part 1

▶ Andi

- 1000x High Pressure Cleaner for T-Systems.

▶ Jens:

- Open a the CATProduct in CATIA V5
- Tell Andi there is a new version of chassis

▶ Andi:

- View new Version
- Request complete product

▶ Jens:

- Create new Version of top product.



Hands on Process – Part 2



▶ Andi:

- View versions and check changes.
- Ask for new drawing.
- Create drawing.

▶ Jens:

- View Drawing in Webclient.



- ▶ **NX Connector by T-Systems**
- ▶ **CATIA Connector Version 3.3**
- ▶ **CATIA ↔ JT Conversion within Aras Innovator**
- ▶ **Advanced Viewer Integration**

Questions?

Jens Rollenmüller

Aras Partner Manager

T-Systems

jens.rolle Mueller@t-systems.com

